
KIT PART NUMBER 7970004
INSTRUCTIONS FOR INSTALLING A REPLACEMENT VEND LOCK
ASSEMBLY

CHECK THE PARTS RECEIVED IN THE KIT WITH THE PARTS LIST IN THESE INSTRUCTIONS. IF ANY PARTS ARE MISSING, CONTACT THE NATIONAL VENDORS PARTS DEPARTMENT IMMEDIATELY.

Read these instructions carefully before installing the kit.
Keep these instructions for part numbers and for future reference.

THIS KIT CONTAINS THE FOLLOWING :

PART NUMBER	DESCRIPTION	QUANTITY
7972020	LOCK ASSEMBLY - VEND DOOR	1

1. Remove the old lock assembly.
2. Install and adjust the new lock assembly using existing hardware (see figures 1 and 2).
3. Use screws and nuts as shown to adjust the unit so it is properly positioned (see figures 3 and 4).
Note: The vend door actuator arm ***must*** be in the closed position before installing.
4. Adjust the door closed switch to obtain 0.015 open space between the switch case and the switch activation lever (see figure 3). Note: This adjustment can only be made with the vend door and actuator arm in the full closed position.
5. Connect the wire harness as shown (see figure 5).

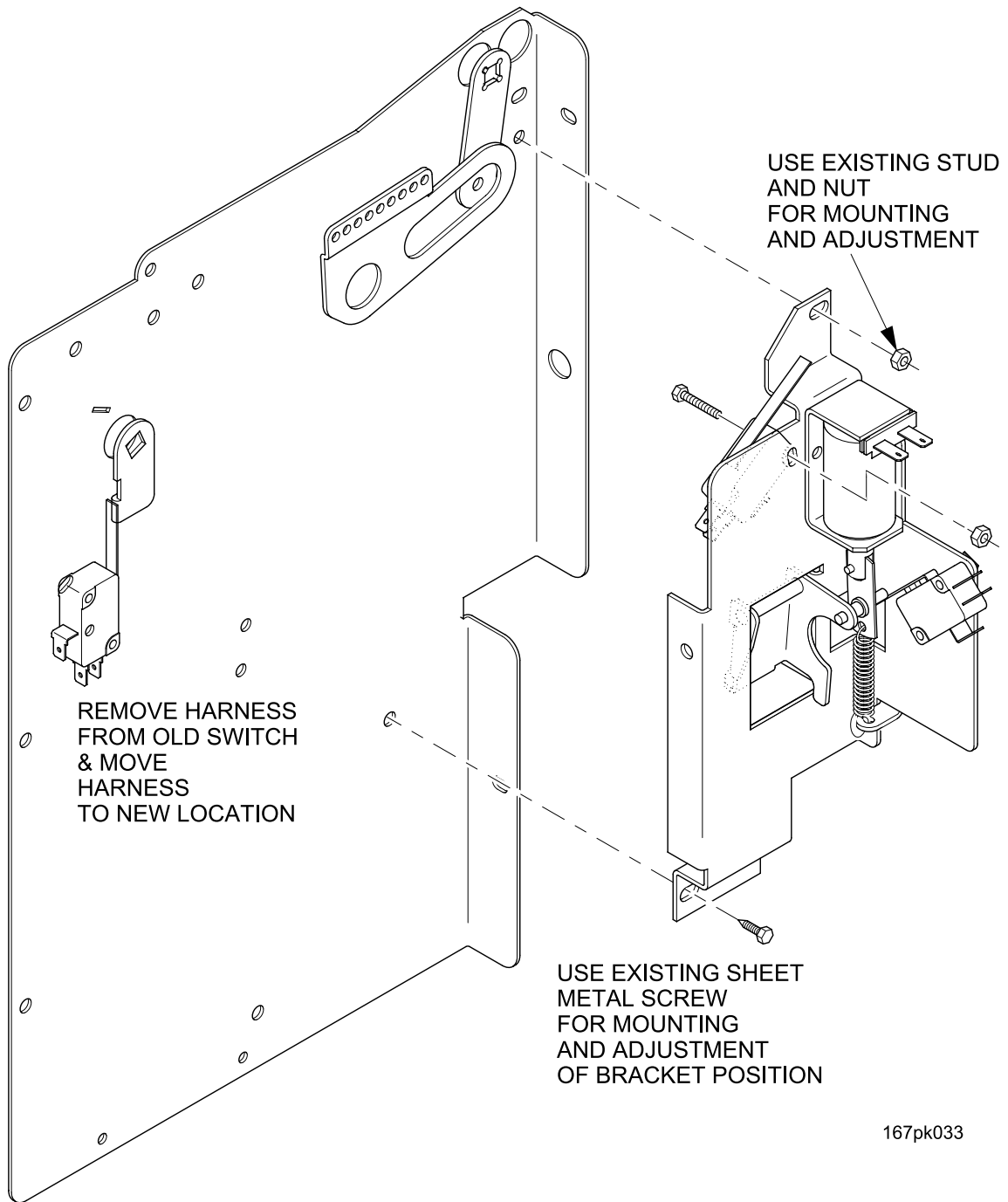


Figure 1

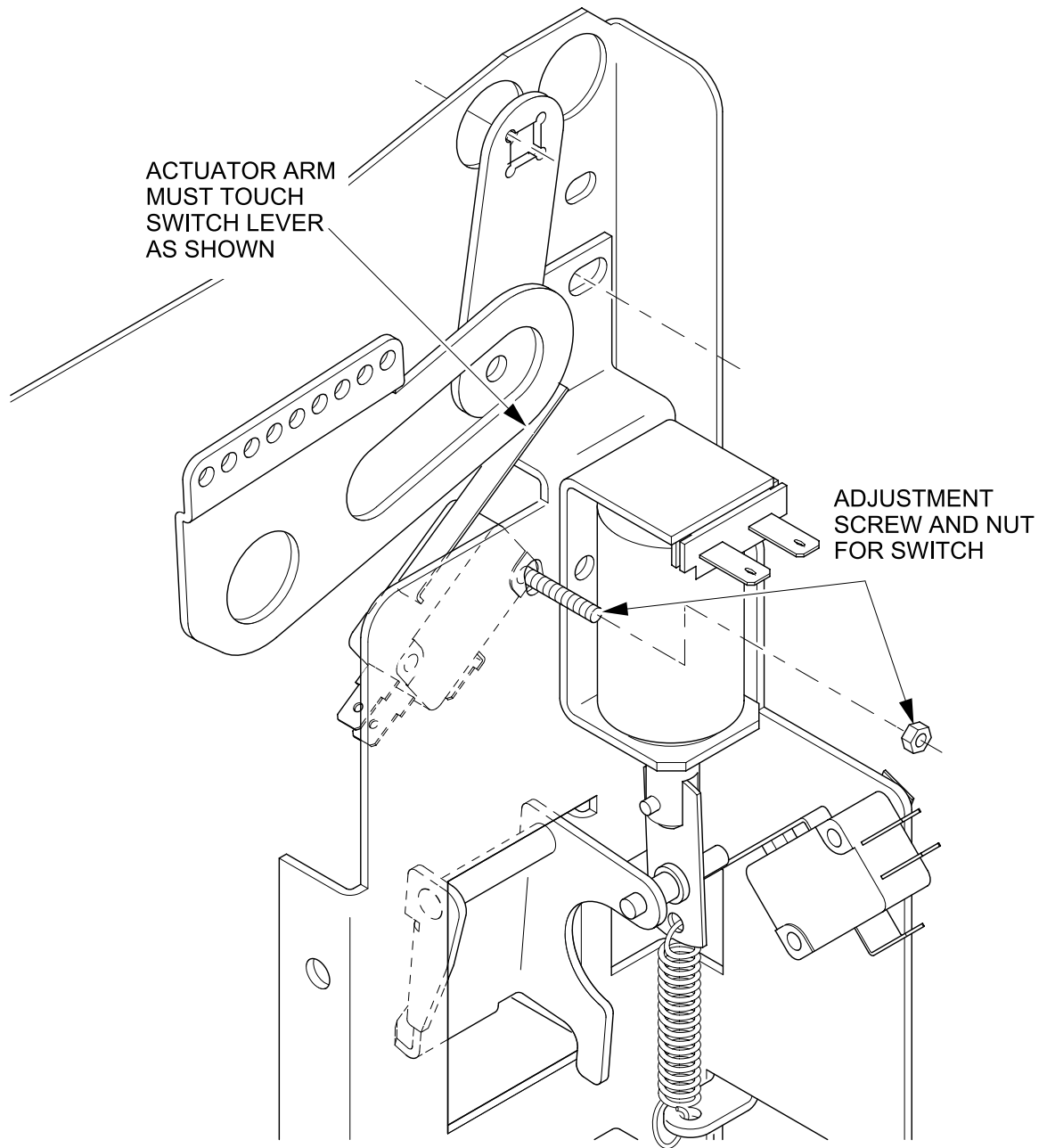


Figure 2

NOTE!: VEND DOOR AND ACTUATOR ARM SHOWN IN CLOSED POSITION

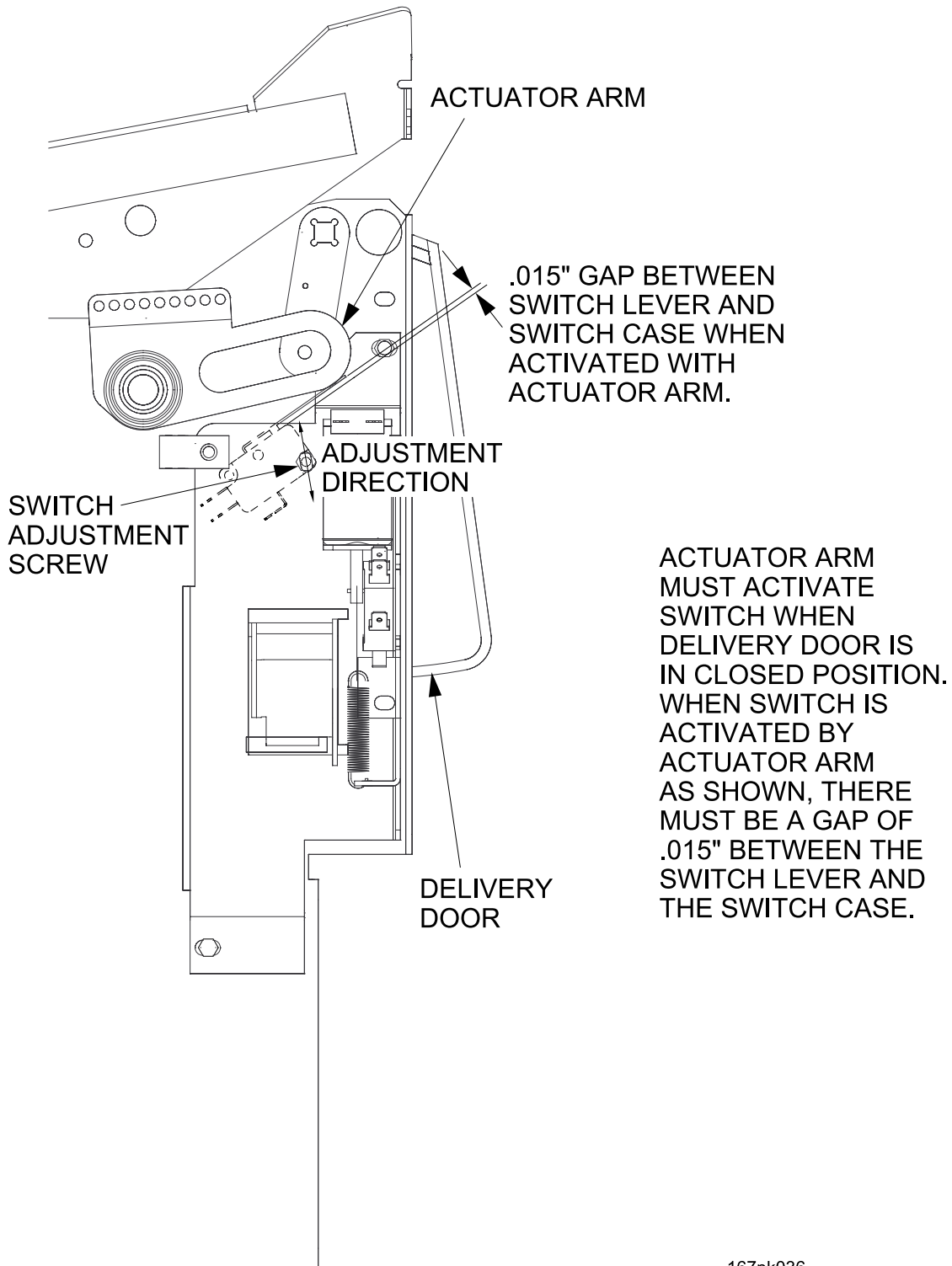


Figure 3

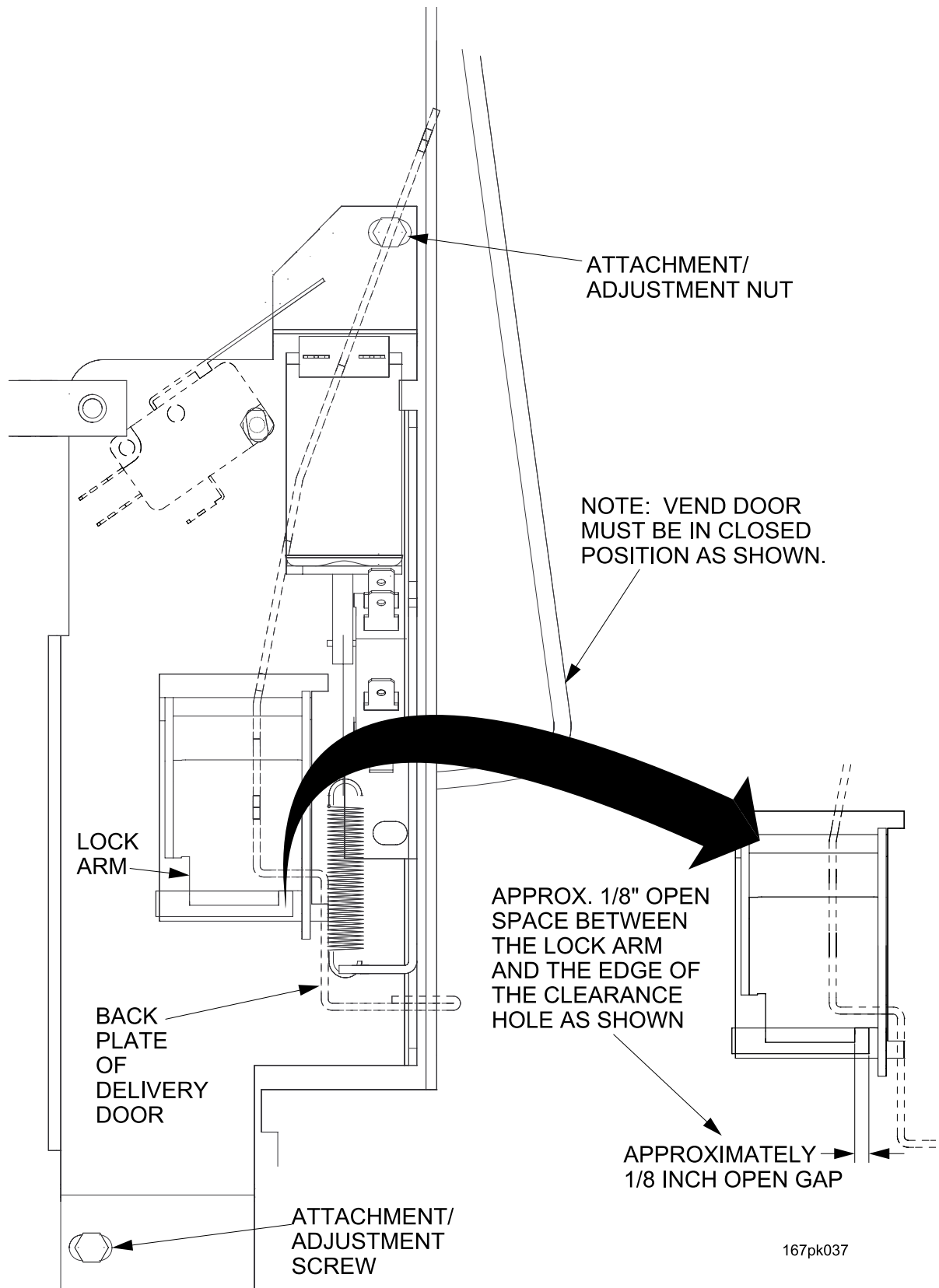


Figure 4

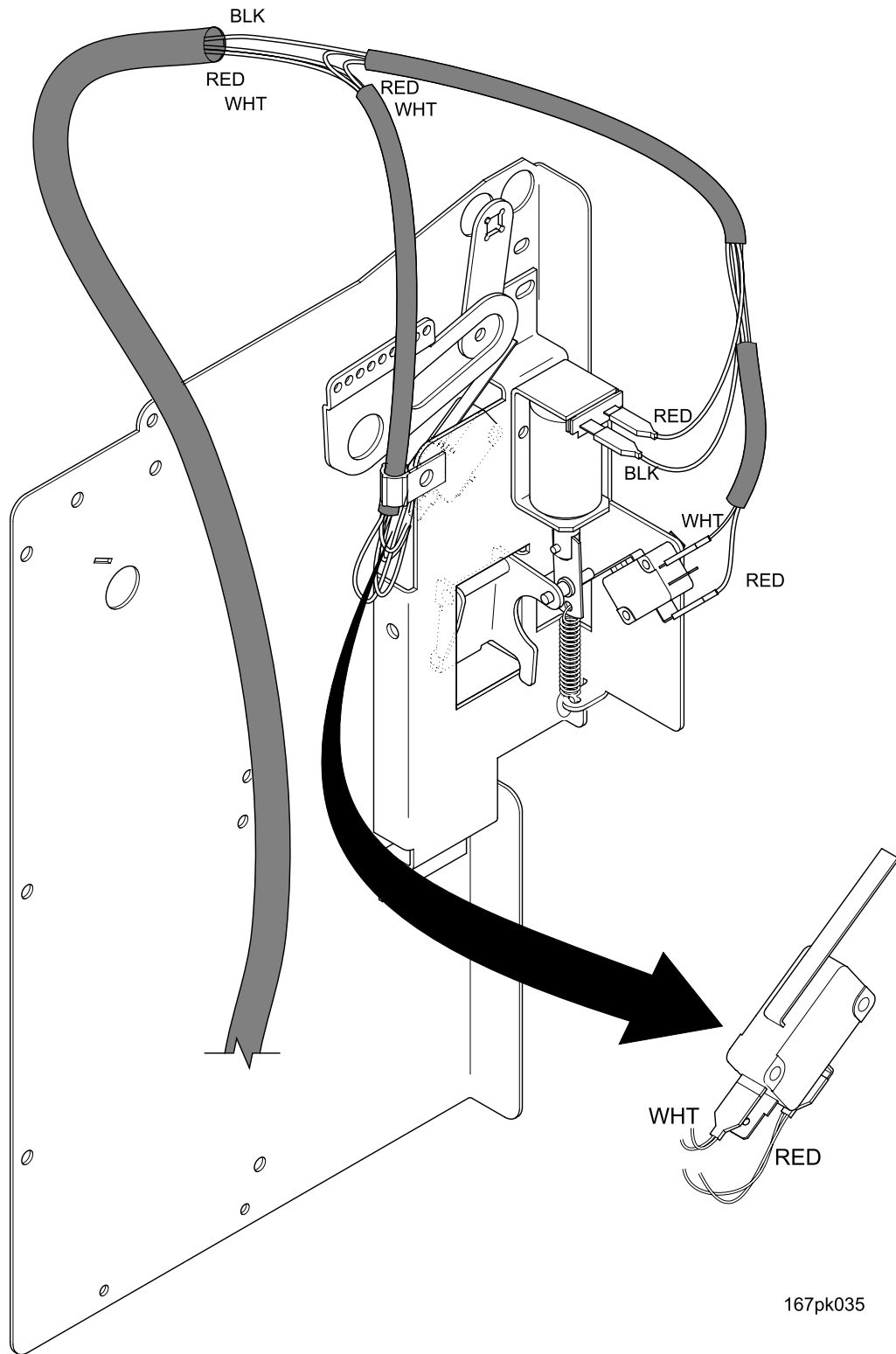


Figure 5